

Overview

The DigiaCam from GE Security is an excellent economical solution for any security system. The high-resolution color camera uses the most up-to-date digital signal processing and provides 480 television lines for a clear image in a variety of lighting conditions.

The DigiaCam is perfect for retail and other small commercial applications. It's quick to set up and easy to use. Automatic gain control and white balance mean you don't have to constantly adjust the picture quality. Adjust settings for autoiris lenses and backlight compensation with DIP switches.

Because it functions well in a wide range of temperatures, the camera can be installed easily in most weather-protected environments. DigiaCam is lightweight and compact enough to fit nearly anywhere you need additional security.

The camera accepts any CS-mount lens and comes with a C-mount lens adapter so it can be used with most lenses.

Standard Features

- Digital signal processing
- High resolution of 480 color TVL
- Lightweight, compact size
- 12 VDC/24 VAC
- Accepts autoiris lenses

DigiaCam

cost-effective digital security camera



North America
T (503) 885-5700
T 888-GE-SECURITY
888-(437-3287)
E info@gesecurity.com

Asia
T 852-2907-8108
F 852-2142-5063

Australia
T 61-3-9259-4700
F 61-3-9259-4799

Europe
T 32-2-725-11-20
F 32-2-721-40-47

Latin America
T 305-593-4301
F 305-593-4300

www.gesecurity.com

Specifications subject to change
without notice.

©2007 General Electric Company
All Rights Reserved

Specifications

Camera

- Image sensor: 1/3-in. color Sharp CCD
- Signal format: NTSC
- Pixels: 768 H x 494 V
- Horizontal resolution: 480 TVL
- Sensitivity: 1.0 lux at f1.2 minimum
- Synchronization: Internal
- Scanning system: 525 TVL, 2:1 interlaced
- Automatic gain control (AGC): Automatic
- Electronic shutter: On/Off (up to 1/100,000 sec.) selectable
- White balance: Automatic
- Backlight compensation (BLC): On/Off selectable
- Signal-to-noise ratio: >48 dB (AGC off)
- Video output: 1 Vp-p, 75 ohm
- Gamma ratio: 0.45
- Autoiris lens control: Video or DC drive, selectable

Electrical

- Power supply 12 VDC; 24 VAC
- Power consumption 200 mA for DC; 90 mA for AC

Environmental

- Operating temperature: 14 to 122°F (-10 to 50°C)

Physical

- Dimensions (HxWxD): 4.91 x 2.58 x 2.43 in. (125 x 66 x 62 mm)
- Weight: 11.5 oz. (328 g)
- Lens mount: CS mount, with C-mount adapter

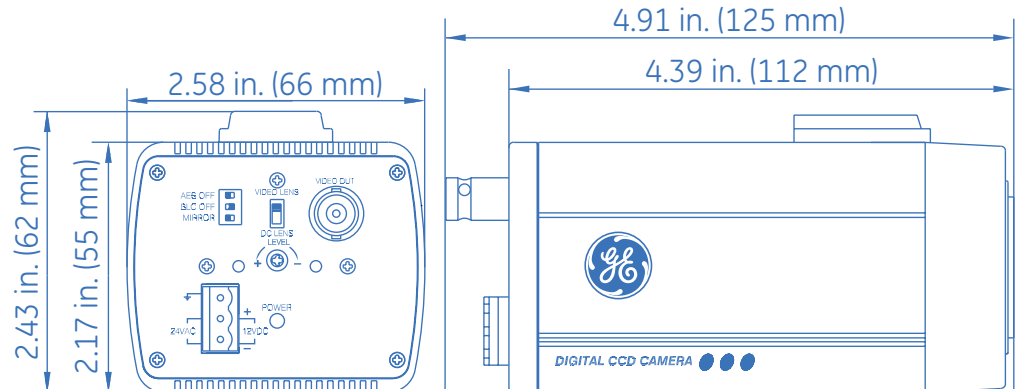
Regulatory

- FCC

Ordering information

KTC-DG1 DigiaCam digital security camera

Dimensional diagram



imagination at work